

Handwheels with retractable handle

Aluminium, Handle swivelling

SPECIFICATION

Type

- Type **R**: with retractable handle

Bore codes

- Version **B**: without keyway
- Version **K**: with keyway

Aluminium

- Hub machined
- Rim turned and polished
- Unmachined body matt shot-blasted

Rim concentric and square to bore < 0.4

Safety retractable handles GN 798.7 (see page 587)

Plastic, Technopolymer
black, matt

Retracting mechanism
Steel, blackened



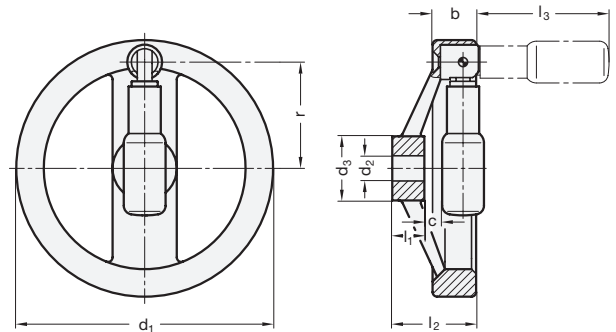
INFORMATION

Spoked handwheels GN 322.7 are suitable for applications where the handle must not remain in the operating position. In order to bring the handle into this position it has to be turned first through 90° to a stop against a torsion spring and then it is pushed against spring pressure into its hold position.

By maintaining the forward thrust on the handle the handwheel can easily be rotated. When releasing the handle the springs returns it back to the retracted position.

TECHNICAL INFORMATION

- Keyway P9 DIN 6885 (see page A16)
- Cross holes GN 110 (see page A17)
- ISO-Fundamental Tolerances (see page A21)



GN 322.7

Description	d1	d2 H7	d3	b	c	l1	l2	l3	r	Ø Handle	△
GN 322.7-125-B12-R	125	12	31	24.5	7.5	18	44	61.5	50	22	438
GN 322.7-125-K12-R	125	12	31	24.5	7.5	18	44	61.5	50	22	438
GN 322.7-140-B14-R	140	14	36	24.5	7	19	45.5	76.5	57.5	24	548
GN 322.7-140-K14-R	140	14	36	24.5	7	19	45.5	76.5	57.5	24	530
GN 322.7-160-B14-R	160	14	36	25	7.5	20	47	76.5	67.5	24	660
GN 322.7-160-K14-R	160	14	36	25	7.5	20	47	76.5	67.5	24	640
GN 322.7-160-B16-R	160	16	36	25	7.5	20	47	76.5	67.5	24	560
GN 322.7-160-K16-R	160	16	36	25	7.5	20	47	76.5	67.5	24	550
GN 322.7-200-B18-R	200	18	42	25	8.5	24	52.5	86.5	84	25	970
GN 322.7-200-K18-R	200	18	42	25	8.5	24	52.5	86.5	84	25	960
GN 322.7-200-B20-R	200	20	42	25	8.5	24	52.5	86.5	84	25	945
GN 322.7-200-K20-R	200	20	42	25	8.5	24	52.5	86.5	84	25	935
GN 322.7-250-B22-R	250	22	48	26.5	13	28	61	86.5	111	25	1380
GN 322.7-250-K22-R	250	22	48	26.5	13	28	61	86.5	111	25	1330